

## D.L. George & Sons Mfg.

13321 Midvale Road, Waynesboro, Pa. 17268

Phone 717-765-4700 800-765-1246

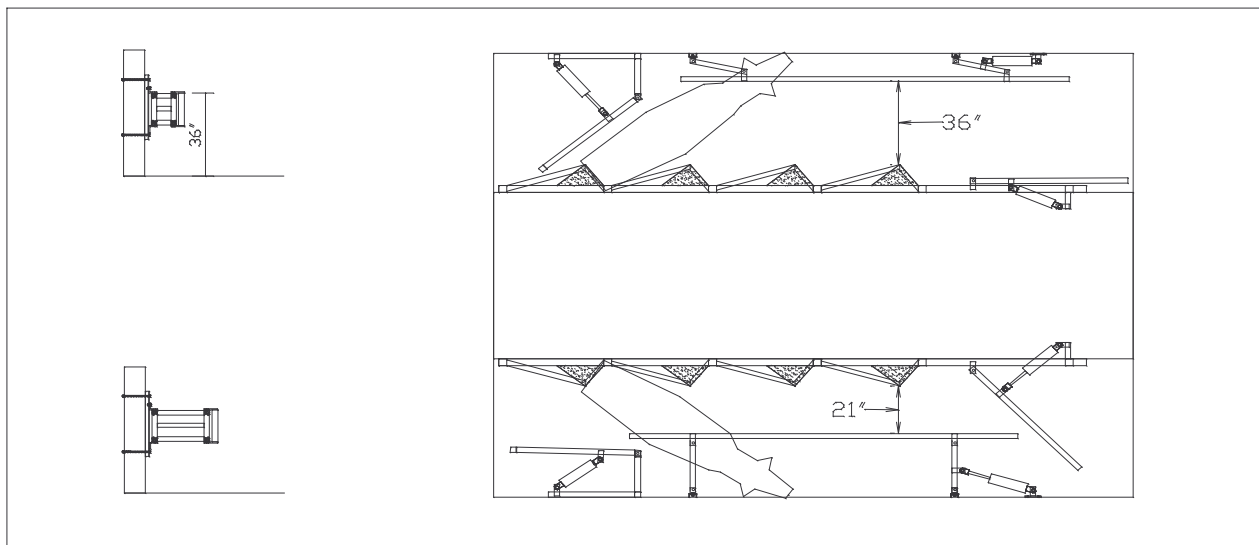
Fax 717-765-4734

www.dlgeorge-sons.com

# Indexing Brisket Straight Rail



**The Indexing Straight Rail is the most economical way to update your existing herringbone parlor. If you want to replace worn out feed bowls or are looking for a way to improve cow control in your parlor, then the indexing straight rail is the way to go. It fits any size of parlor and, of course, it's quality built by D. L. George & Sons Mfg..**



The Straight Rail can be mounted on the wall of your parlor or on your inside return alley fencing. The straight rail can be used in conjunction with your existing entrance and exit gates or new gates can be added. There is even a power gate option.

The Straight Rail is available in either manual indexing or power indexing versions. The manual indexing version is adjusted manually to match your particular herd size by adjusting the position of the pins in the adjustment bracket provided. With power indexing, the stalls can be adjusted after the cows have entered the parlor and the rail can also be retracted along the wall to provide a wide exit lane for the cows to improve parlor efficiency.

The indexing straight rail is built to last. The rails are built from high tensile strength square galvanized tubing for optimum structural strength. All pivot points have stainless steel pins and UHMW (Ultra High Molecular Weight Polyethylene) bushings that never need lubrication.

Installation is very straightforward. It can fit into parlors of any size or brand. It improves parlor efficiency and cow positioning. It extends the life of older parlors without requiring a major investment. It's built tough so it will be a good investment for the long term. It does not require a lot of maintenance...and it looks good too!

### What Our Customers Say:

John and Jim Diller  
Chambersburg, PA  
717-263-1846  
Double 6 Parlor

" It was easy to install and reasonably priced. Our cows don't move around as much now that we have the Indexing Straight Rail. We're saving 15 minutes per milking. We should have installed something like this 20 years ago."

## **D.L. George & Sons Mfg.**

13321 Midvale Road, Waynesboro, Pa. 17268

Phone 717-765-4700 800-765-1246

Fax 717-765-4734

www.dlgeorge-sons.com

# **Indexing Brisket Straight Rail**



## **Key Design Specifications**

### Materials:

Brisket rail is made of 2" square high tensile strength galvanized tubing  
Pivot arms are made of 2" square high tensile strength galvanized tubing  
Wall mounting brackets are made of structural steel channel with thermal spray galvanized finish  
Pivots have stainless steel pins and UHMW bushings

Power indexing option is available using either air or hydraulic operating systems

Options available (custom pricing)

Manual or power entrance and exit gates  
Custom mounting brackets  
Customized rear splash shield to add additional stalls

## D.L. George & Sons Mfg.

13321 Midvale Road, Waynesboro, Pa. 17268

Phone 717-765-4700 800-765-1246

Fax 717-765-4734

www.dlgeorge-sons.com

# Indexing Brisket Straight Rail



## Features and Benefits

<u>Feature</u>	<u>Benefit</u>
Straight Rail Design	Indexes cows of varying sizes
Low Cost	Gain additional throughput with minimal additional investment. Prolong the life of existing parlors.
Replaces rusted feedbowls	Eliminate unsightly and dangerous worn out feedbowls to improve operator and cow safety
Modular Design	Can be made to easily fit in any size or brand of parlor. Easy to add additional stalls
Indexing Capability Indexing	Increased operator efficiency as cows are easier to reach and are kept more confined. rail can be retracted to provide a wide exit alley for faster cow throughput.
Flexible Mounting System	Mounting channels can be attached to any type of wall and even to fencing in those parlors that have inside return alleys. The mounting brackets can be positioned anywhere along the front of the parlor to allow installation around support posts or other obstacles
High tensile strength square tubing	Better strength and corrosion resistance than 2" pipe, since tubing is square it is much easier to weld than round pipe and you can expect greater durability at weld joints.
UHMW bushings on pivots	No lubrication required means lower maintenance and greater long-term durability
Hydraulic operating unit	Low maintenance requirement, very reliable operating system
Air Operating Unit	Lower initial cost
Factory supervised installation option	Ease of installation, reduced installation cost.